

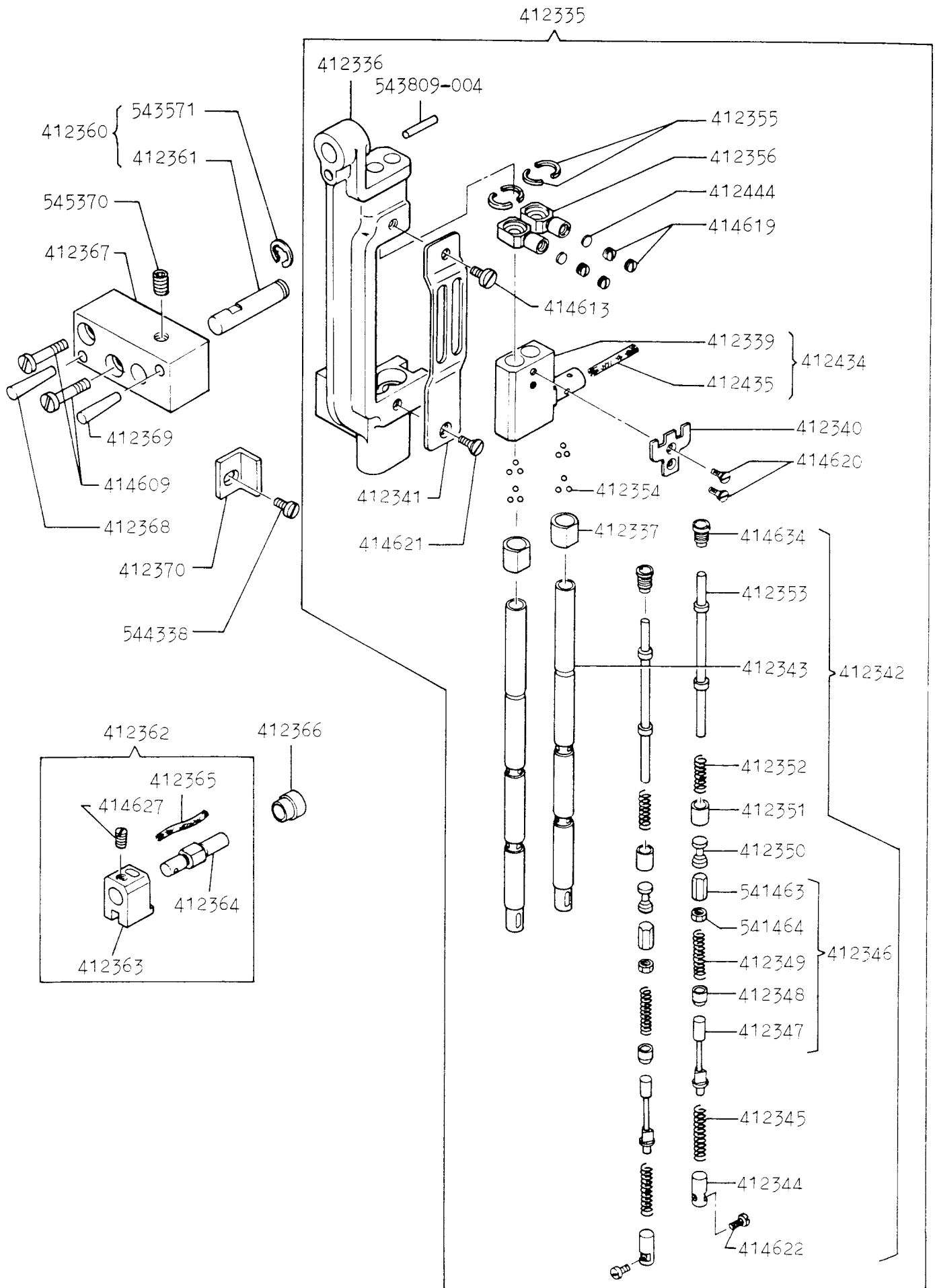
**ILLUSTRATED  
PARTSLIST  
FOR  
SINGER\***

**MACHINE**

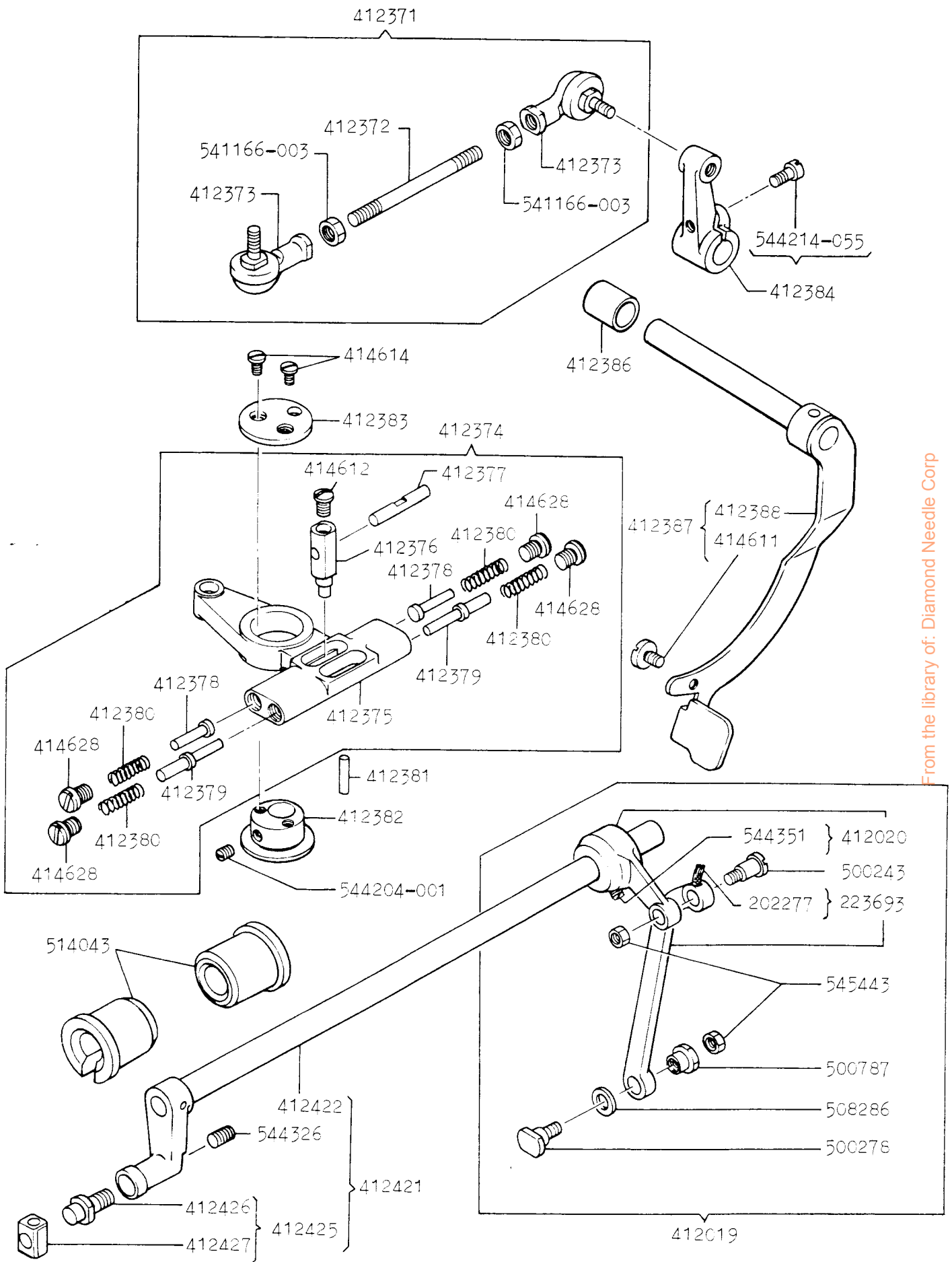
**212U143A**

SUPPLEMENTARY PARTS LIST FOR MACHINE 212U143A  
(Same as the complete list for 212U141A with  
the following exceptions)

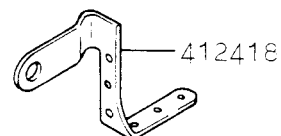
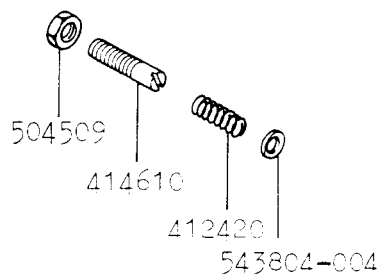
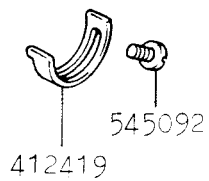
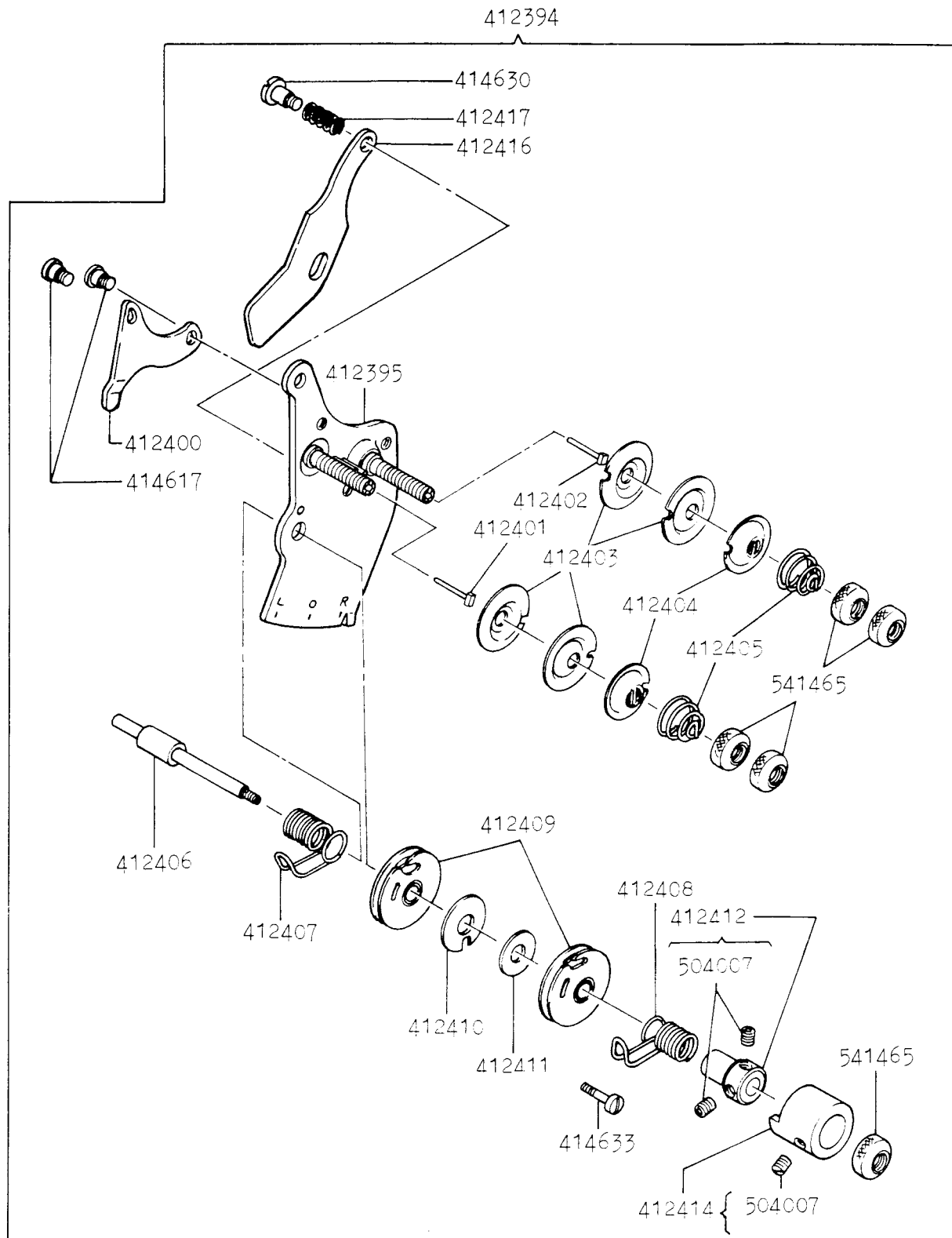
\* A Trademark of THE SINGER COMPANY  
Copyright © 1982 THE SINGER COMPANY  
All Rights Reserved Throughout the World



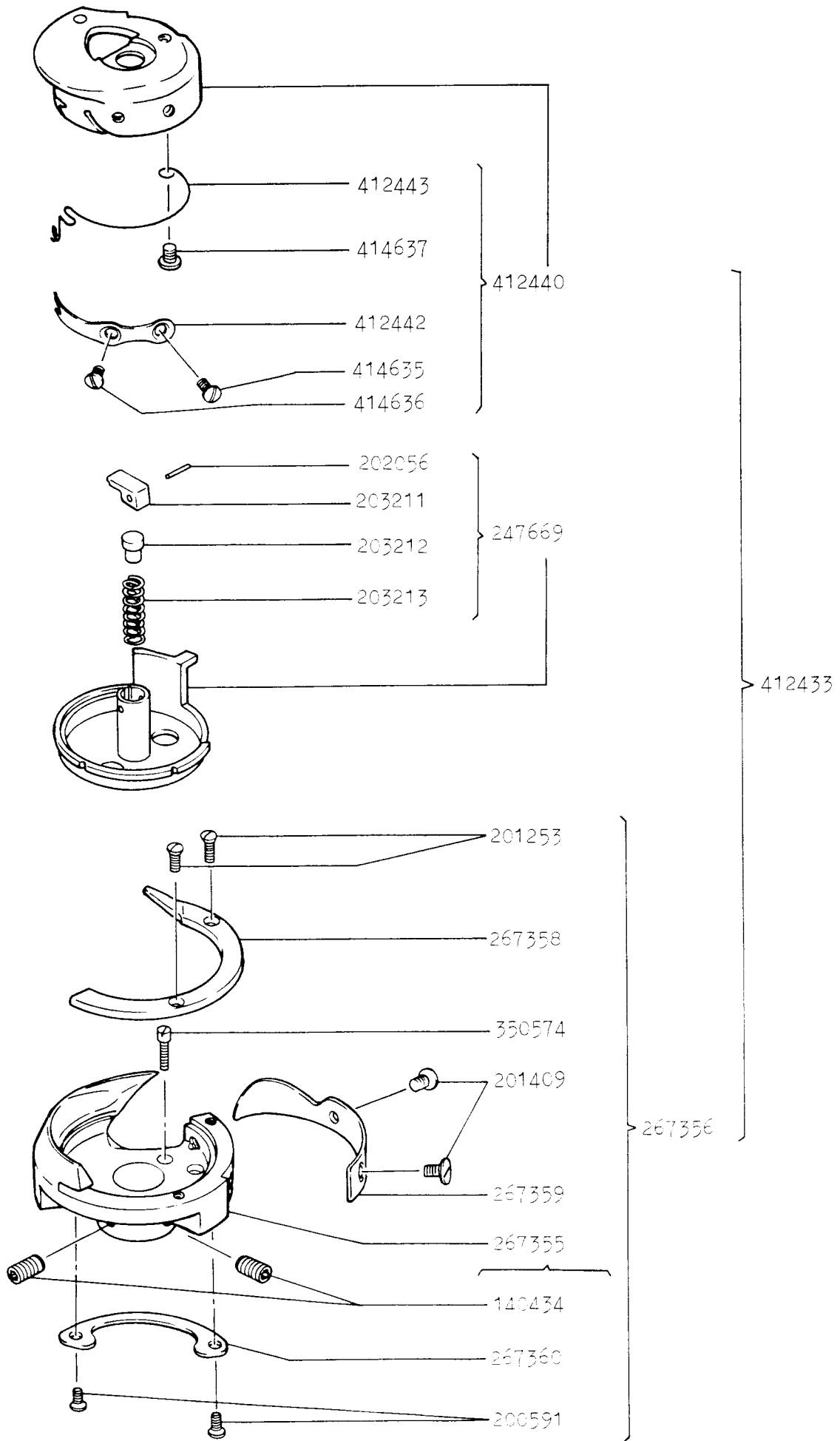
No.	212U141A 143A 144A 442A 541A	Description
412335	- * * - -	Needle Bar Rock Frame, Needle Bar, Needle Bar Connecting Stud Complete, 412336, 412337 (2), 412340, 412341, 412342 (2), 412355 (4), 412356 (2), 412434, 412444 (12), 414613, 414619 (4), 414620 (2), 414621, 543809-004
412336	- * * - -	Needle Bar Rock Frame
412337	- * * - -	Needle Bar Bushing (2)
412339	- * * - -	Needle Bar Connecting Stud
412340	- * * - -	Needle Bar Position Guide Bracket
412341	- * * - -	Needle Bar Position Guide Plate
412342	- * * - -	Needle Bar Complete (2), 412343, 412344, 412345, 412346, 412350, 412351, 412352, 412353, 414622, 414634
412343	- * * - -	Needle Bar (2)
412344	- * * - -	Needle Bar Liner (2)
412345	- * * - -	Needle Bar Spring (2)
412346	- * * - -	Steel Ball Guide Stud Complete (2), 412347, 412348, 412349, 541463, 541464
412347	- * * - -	Steel Ball Guide Stud (2)
412348	- * * - -	Steel Ball Guide Stud Slide Block (2)
412349	- * * - -	Steel Ball Guide Stud Spring (2)
412350	- * * - -	Steel Ball Guide Block (2)
412351	- * * - -	Needle Stopping Stud Collar (2)
412352	- * * - -	Needle Stopping Stud Spring (2)
412353	- * * - -	Needle Stopping Stud (2)
412354	- * * - -	Steel Ball (12)
412355	- * * - -	Needle Bar Position Guide Ratchet (4)
412356	- * * - -	Needle Bar Position Guide (2)
412360	- * * - -	Needle Bar Rock Frame Hinge Stud Complete, 412361, 543571
412361	- * * - -	Needle Bar Rock Frame Hinge Stud
412362	- * * - -	Slide Block for Needle Stop Complete, 412363, 412364, 412365, 414627
412363	- * * - -	Slide Block for Needle Stop
412364	- * * - -	Slide Block Stud for Needle Stop
412365	- * * - -	Slide Block Stud Wick for Needle Stop
412366	- * * - -	Slide Block Stud Bushing for Needle Bushing
412367	- * * - -	Needle Bar Rock Frame Bracket
412368	- * * - -	Needle Bar Rock Frame Bracket Dowel Pin (short)
412369	- * * - -	Needle Bar Rock Frame Bracket Dowel Pin (long)
412370	- * * - -	Needle Bar Rock Frame Position Bracket
412434	- * * - -	Needle Bar Connecting Stud Complete, 412339, 412435
412435	- * * - -	Needle Bar Connecting Stud Wick
412444	- * * - -	Needle Bar Position Guide Set Screw (2)
414609	- * * - -	Needle Bar Rock Frame Bracket Screw (2)
414613	- * * - -	Needle Bar Position Guide Plate Screw (upper)
414619	- * * - -	Needle Bar Position Guide Set Screw (4)
414620	- * * - -	Needle Bar Position Guide Bracket Screw (2)
414621	- * * - -	Needle Bar Position Guide Plate Screw (lower)
414622	- * * - -	Needle Bar Liner Screw (2)
414627	- * * - -	Slide Block Stud Set Screw for Needle Stop
414634	- * * - -	Needle Bar Thumb Screw (2)
541463	- * * - -	Steel Ball Guide Stud Nut (long) (2)
541464	- * * - -	Steel Ball Guide Stud Nut (short) (2)
543571	- * * - -	Needle Bar Rock Frame Hinge Stud Stop Ring
543809-004	- * * - -	Needle Bar Rock Frame Pin
544338	- * * - -	Needle Bar Rock Frame Position Bracket Screw
545370	- * * - -	Needle Bar Rock Frame Hinge Stud Set Screw



No.	212U141A 143A 144A 442A 541A	Description
202277	- * * - -	Needle Bar Rock Frame Rock Shaft Crank Connection Oil Wick
223693	- * * - -	Needle Bar Rock Frame Rock Shaft Crank Connection with 202277
412019	- * * - -	Needle Bar Rock Shaft Connection Link, Crank Complete 223693, 412020, 500243, 500278, 500787, 508286, 545443 (2)
412020	- * * - -	Needle Bar Rock Shaft Connection Link Crank with 544351
412371	- * * - -	Connecting Rod, Connecting Joint Complete, 412372, 412373 (2) 541166-003 (2)
412372	- * * - -	Connecting Rod
412373	- * * - -	Connecting Joint (2)
412374	- * * - -	Needle Bar Change Over Frame Complete, 412375, 412376, 412377, 412378 (2), 412379 (2), 412380 (4), 414612, 414628 (4)
412375	- * * - -	Needle Bar Change Over Frame
412376	- * * - -	Needle Bar Change Over Frame Connection
412377	- * * - -	Needle Bar Change Over Frame Connection Pin
412378	- * * - -	Needle Bar Change Over Frame Guide Pin (short) (2)
412379	- * * - -	Needle Bar Change Over Frame Guide Pin (long) (2)
412380	- * * - -	Needle Bar Change Over Frame Spring (4)
412381	- * * - -	Needle Bar Change Over Frame Pin
412382	- * * - -	Needle Bar Change Over Frame Eccentric
412383	- * * - -	Needle Bar Change Over Frame Cover Flate
412384	- * * - -	Needle Bar Change Over Shaft Crank with 544214-055
412386	- * * - -	Needle Bar Change Over Shaft Crank Collar
412387	- * - - -	Needle Bar Change Over Lever Complete, 412388, 414611
412388	- * * - -	Needle Bar Change Over Lever
412421	- * * - -	Needle Bar Rock Frame Rock Shaft Complete, 412422, 412425, 544326
412422	- * * - -	Needle Bar Rock Frame Rock Shaft
412425	- * * - -	Needle Bar Rock Frame Rock Shaft Slide Block Complete 412426, 412427
412426	- * * - -	Needle Bar Rock Frame Rock Shaft Slide Block Stud
412427	- * * - -	Needle Bar Rock Frame Rock Shaft Slide Block
414611	- * - - -	Needle Bar Change Over Lever Stop Screw
414612	- * * - -	Needle Bar Change Over Frame Connection Screw
414614	- * * - -	Needle Bar Change Over Frame Cover Plate Screw (2)
414628	- * * - -	Needle Bar Change Over Frame Thumb Screw (4)
500243	- * * - -	Needle Bar Rock Shaft Crank Hinge Screw
500278	- * * - -	Needle Bar Rock Shaft Crank Link Slide Screw
500787	- * * - -	Needle Bar Rock Shaft Crank Link Slide Screw Nut
508286	- * * - -	Needle Bar Rock Shaft Crank Link Slide Screw Spacer
514043	- * * - -	Needle Bar Rock Shaft Bushing (2)
541166-003	- * * - -	Connecting Rod Nut (2)
544204-001	- * * - -	Needle Bar Change Over Frame Eccentric Set Screw
544214-055	- * * - -	Needle Bar Change Over Shaft Crank Pinch Screw
544326	- * * - -	Needle Bar Rock Frame Rock Shaft Slide Block Stud Check Screw
544351	- * * - -	Needle Bar Rock Shaft Connection Link Crank Pinch Screw
545443	- * * - -	Needle Bar Rock Shaft Crank Link Slide Screw Lock Nut (2)

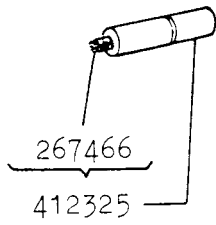


No.	212U141A 143A 144A 44CA 541A	Description
412394	- * - - -	Tension Bracket and Releasing Lever Complete, 412395, 412400, 412401, 412402, 412403 (4), 412404 (2), 412405 (2), 412406, 412407, 412408, 412409 (2), 412410, 412411, 412412, 412414, 412416, 412417, 414617, 414630, 414633, 541465 (4), 541465
412395	- * * - -	Tension Bracket
412400	- * * - -	Tension Release Lever
412401	- * * - -	Tension Release Plunger (short)
412402	- * * - -	Tension Release Plunger (long)
412403	- * * - -	Tension Disc (4)
412404	- * * - -	Tension Release Washer (2)
412405	- * * - -	Tension Spring (2)
412406	- * * - -	Thread Controller Stud
412407	- * * - -	Thread Controller Spring (back)
412408	- * * - -	Thread Controller Spring (front)
412409	- * * - -	Thread Controller Disc
412410	- * * - -	Thread Controller Disc Washer (large)
412411	- * * - -	Thread Controller Disc Washer (small)
412412	- * * - -	Thread Controller Stud Collar with 504007 (2)
412414	- * * - -	Thread Controller Spring Cover with 504007
412416	- * - - -	Rereasing Lever
412417	- * - - -	Rereasing Lever Hinge Screw Spring
412418	- * * - -	Thread Retainer
412419	- * * - -	Thread Controller Spring Stop
412420	- * - - -	Rereasing Lever Stud Spring
414610	- * - - -	Rereasing Lever Stud
414617	- * * - -	Tension Rerease Lever Hinge Screw (2)
414630	- * - - -	Rereasing Lever Hinge Screw
414633	- * * - -	Thread Controller Disc Screw
504007	- * * - -	Thread Controller Stud Collar Set Screw (2)
504007	- * * - -	Thread Controller Spring Cover Set Screw
504509	- * - - -	Rereasing Lever Stud Nut
541465	- * * - -	Tension Thumb Nut (4)
541465	- * * - -	Tension Controller Spring Cover Thumb Nut
543804-004	- * - - -	Rereasing Lever Stud Washer
545092	- * * - -	Thread Controller Spring Stop Screw

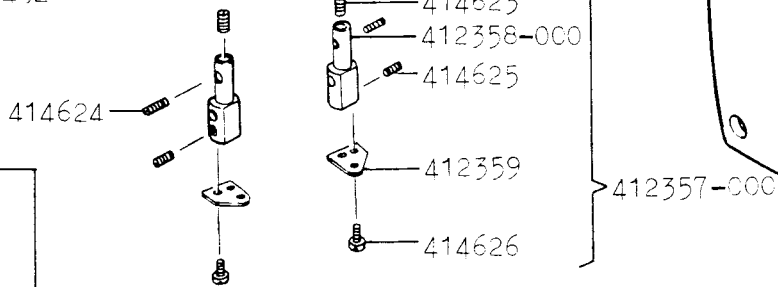
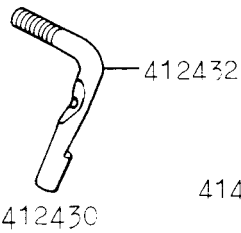
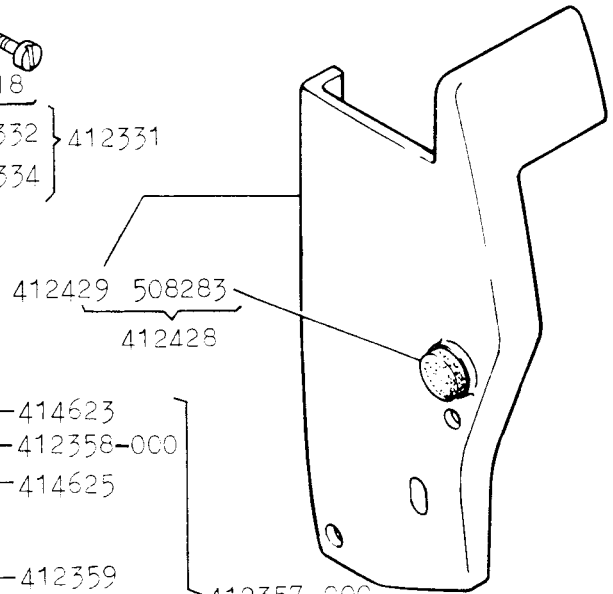
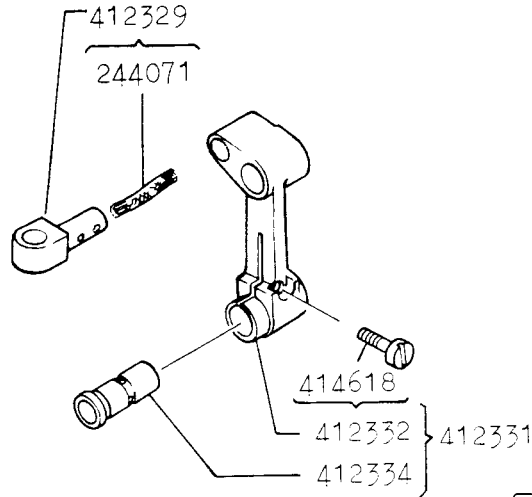
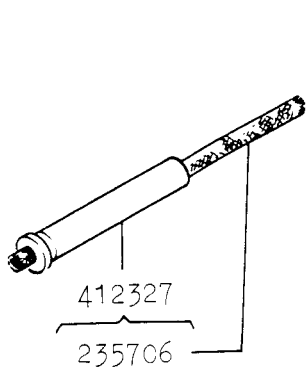
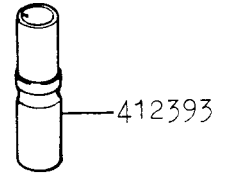




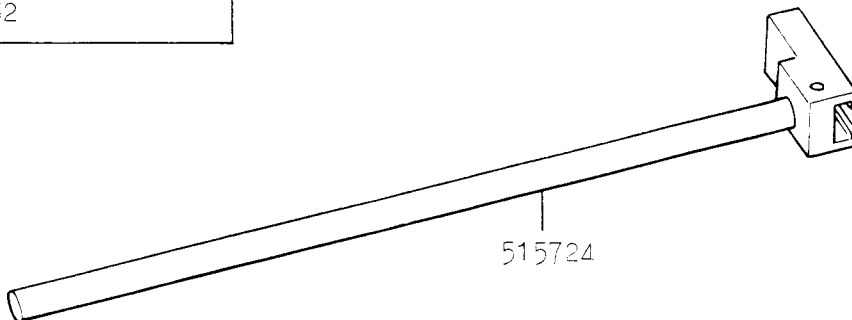
No.	212 U14 3A 143A 143A 143A 543A	Description
140434	* * * * -	Hook Set Screw (4)
200591	* * * * -	Hook Thread Guard Screw (4)
201253	* * * * -	Hook Gib Screw (4)
201409	* * * * -	Hook Needle Guard Screw (4)
202056	- * * - -	Bobbin Case Base Latch Pin (2)
203211	- * * - -	Bobbin Case Base Latch (2)
203212	- * * - -	Bobbin Case Base Latch Plunger (2)
203213	- * * - -	Bobbin Case Base Latch Spring (2)
247669	- * * - -	Bobbin Case Base (2) with 202056, 203211, 203212, 203213
267355	* * * * -	Hook (2) with 140434 (2)
267356	* * * * -	Hook Complete (2), 200591 (2), 201253 (2), 201409 (2), 267355, 267358, 267359, 267360, 350574
267358	* * * * -	Hook Gib (2)
267359	* * * * -	Hook Needle Guard (2)
267360	* * * * -	Hook Thread Guard (2)
350574	* * * * -	Hook Height Adjustment Screw (2)
412433	- * * - -	Hook and Bobbin Case Complete (2), 247669, 267356, 412440
412440	- * * - -	Bobbin Case (2) with 412442, 412443, 414635, 414636, 414637
412442	- * * - -	Bobbin Case Tension Spring (2)
412443	- * * - -	Bobbin Case Spring (2)
414635	- * * - -	Bobbin Case Tension Spring Screw (2)
414636	- * * - -	Bobbin Case Tension Spring Regulating Screw (2)
414637	- * * - -	Bobbin Case Spring Screw (2)



- |        |        |
|--------|--------|
| 412324 | 412323 |
| 412205 | 267300 |
| 412325 | 412324 |
| 544327 | 412327 |
| 544332 | 412329 |
|        | 412331 |



- |        |            |
|--------|------------|
| 412053 | 500280     |
| 412056 | 502832     |
| 412142 | 508555     |
| 412143 | 508557     |
| 412144 | 541186     |
| 412224 | 543831-001 |
| 412229 | 543832-001 |
| 412240 | 544281(2)  |
| 412432 |            |



No.	V1A V2A V3A V4A V5A	Description
235706	* * * * *	Take-Up Lever Hinge Stud Wick
244071	* * * * *	Take-Up Lever Driving Stud Wick
267466	* * * * *	Needle Bar Connecting Link Stud Wick
412323	- * * - -	Arm Shaft Needle Bar Crank, Take-Up Lever Complete 267300, 412324, 412327, 412329, 412331
412324	- * * - -	Arm Shaft, Needle Bar Crank, Needle Bar Connecting Link Stud Complete, 412205, 412325, 544327, 544332
412325	- * * - -	Needle Bar Connecting Link Stud with 267466
412327	- * * - -	Take-Up Lever Hinge Stud with 235706
412329	- * * - -	Take-Up Lever Driving Stud with 244071
412331	- * * - -	Needle Bar Connecting Link Complete, 412332, 412334
412332	- * * - -	Needle Bar Connecting Link with 414618
412334	- * * - -	Needle Bar Connecting Link Bushing (Eccentric)
412357-008	- * * - -	Needle Clamp Complete (1/8") (2) 412358-008, 412359, 414623, 414625, 414626
412357-012	- * * - -	Needle Clamp Complete (3/16") (2) 412358-012, 412359, 414623, 414625, 414626
412357-016	- * * - -	Needle Clamp Complete (1/4") (Standard) (2) 412358-016, 412359, 414623, 414625, 414626
412357-020	- * * - -	Needle Clamp Complete (5/16") (2) 412358-020, 412359, 414623, 414625, 414626
412357-024	- * * - -	Needle Clamp Complete (3/8") (2) 412358-024, 412359, 414623, 414625, 414626
412357-100	- * * - -	Needle Clamp Complete (1") (2) 412358-100, 412359, 414623, 414625, 414626
412358-008	- * * - -	Needle Clamp (1/8") (2)
412358-012	- * * - -	Needle Clamp (3/16") (2)
412358-016	- * * - -	Needle Clamp (1/4") (Standard) (2)
412358-020	- * * - -	Needle Clamp (5/16") (2)
412358-024	- * * - -	Needle Clamp (3/8") (2)
412358-100	- * * - -	Needle Clamp (1") (2)
412359	- * * - -	Needle Clamp Thread Guide (2)
412393	- * * - -	Presser Bar Bushing (Upper)
412428	- * * - -	Face Plate Complete, 412429, 508283
412429	- * * - -	Face Plate
412430	- * * - -	Arm Cover (Top) with 412053, 412056, 412142, 412143, 412144, 412224, 412229, 412240, 412432, 500280, 502832, 508555, 508557, 541186, 543831-001, 543832-001, 544281 (2)
412432	- * * - -	Thread Guide (Top of Arm) (Large)
414618	- * * - -	Needle Bar Connecting Link Bushing (Eccentric) Pinch Screw
414623	- * * - -	Needle Clamp Regulating Screw (2)
414624	- * * - -	Needle Clamp Set Screw (2)
414625	- * * - -	Needle Set Screw (2)
414626	- * * - -	Needle Clamp Thread Guide Set Screw (2)
508283	* * * * *	Face Place Plug
515724	- * * - -	Feed Driving Rock Shaft

No.	212U141A 442A 211U157A 165A 166A 566A	Description
140434	* * * - - -	Hook Set Screw (4)
200141	* * - - - -	Needle Set Screw (2)
200591	* * * - - -	Hook Thread Guard Screw (4)
200594	* * * * * -	Bobbin Case Tension Spring Screw (2)
201016	* * - - - -	Bobbin Case Tension Spring Regulating Screw (2)
201253	* * * - - -	Hook Gib Screw (4)
201409	* * * * * -	Hook Needle Guard Screw (4)
202056	* * * * * *	Bobbin Case Latch Pin (2)
202277	* * * - - -	Needle Bar Rock Frame Rock Shaft Crank Link Hinge Screw
202330	* * * * * *	Needle Bar Connection Stud Oil Packing (wick)
202399	* * * * * *	Take-up Lever Driving Stud with 244071
202552	* * * * * *	Needle Bar Connecting Link
203216	* * * * * -	Bobbin Case Washer (cloth) (2)
203473	* * * * * -	Bobbin Case Latch Plunger (2)
203474	* * * * * -	Bobbin Case Latch Spring (2)
203648	* * * * * -	Bobbin Case Latch (2)
223703	* * * * * *	Tension Release Lever
223704	* * * * * *	Tension Release Plunger (2)
235706	* * * * * *	Take-up Lever Hinge Stud Oil Packing (wick)
236060	* * * * * *	Tension Disc Position Fin (2)
236082	* * - - - -	Bobbin Case (2) with 200594, 201016, 202056, 203216, 203473, 203474, 203648, 236081, 236083
236083	* * - - - -	Bobbin Case Tension Spring (2)
244071	* * * * * *	Take-up Lever Driving Stud Oil Packing (wick)
267221	* * * * * *	Needle Bar Connecting Link Stud with 267466 Oil Packing (wick) (2)
267230	* * * - - -	Needle Bar Rock Frame Rock Shaft Crank Link
267231	* * * - - -	Needle Bar Oiling Felt
267232	* * * - - -	Needle Bar Oiling Felt Retainer (upper)
267233	* * * - - -	Needle Bar Oiling Felt Retainer (lower)
267269-008	* * - - - -	Needle Holder with 200141 (2) (1/8", 3.2 mm)
267269-012	* * - - - -	Needle Holder with 200141 (2) (3/16", 4.8 mm)
267269-016	* * - - - -	Needle Holder with 200141 (2) (1/4", 6.4 mm) (standard)
267269-020	* * - - - -	Needle Holder with 200141 (2) (5/16", 7.9 mm)
267269-024	* * - - - -	Needle Holder with 200141 (2) (3/8", 9.5 mm)
267271-100	* * - - - -	Needle Holder with 200141 (2) (1", 25.4 mm)
267285	* * * - - -	Needle Bar Rock Frame Shaft
267288	* * - - - -	Thread Retainer
267355	* * * - - -	Hook (sewing) (2) with 140434
267356	* * * - - -	Hook complete (2) 200591 (2), 201253 (2), 201409 (2), 267355, 267358 267359, 267360, 350574
267357	* * - - - -	Hook and Bobbin Case complete (2) 236082, 267356
267358	* * * - - -	Hook Gib (2)
267359	* * * - - -	Hook Needle Guard (2)
267360	* * * - - -	Hook Thread Guard (2)
267362	* * * - - -	Needle Bar Rock Frame Rock Shaft Bushing (split) (2)
267368	* * * * * *	Thread Controller Spring
267466	* * * * * *	Needle Bar Connecting Link Stud Oil Packing (wick)
350574	* * * - - -	Hook Height Adjusting Screw (2)
412003	* * * * * -	Arm Shaft complete 267221, 412005, 544327, 544332
412091	* * * * * *	Tension Stud (2)
412103	* * * * * *	Thread Controller Stud with 204925
412134	* * * - - -	Needle Bar Connecting Stud with 202330, 549380
412140	* * * - - -	Face Plate
412144	* * * * * *	Thread Guide (Arm Top Cover)
412149	* * * - - -	Needle Bar Rock Frame complete 267285, 412150, 512062

No.	212U141A 442A 211U157A 165A 166A 566A	Description
412150	* * * - - -	Needle Bar Rock Frame with 412151 (2), 544377 (4)
412151	* * * - - -	Needle Bar Rock Frame Wear Plate (2)
412152	* * * - - -	Needle Bar Rock Frame Rock Shaft Connection with 545139
412153	* * * - - -	Needle Bar Rock Frame Rock Shaft Crank with 544322, 545139
412164	* * * - - -	Needle Bar Rock Frame Rock Shaft Crank Link Hinge Screw (2) with 202277
412173	* * - - - -	Arm Shaft complete 202399, 202552, 267239, 267300, 412003, 412134, 412226
412174	* * - - - -	Needle Bar Rock Frame, Rock Shaft, Needle Bar complete 267231, 267232, 267233, 412149, 412175, 544376 (4)
412175	* * - - - -	Needle Bar
412176	* * * - - -	Needle Bar Rock Frame Rock Shaft Connection complete 267230, 412152, 412153, 412164, 541188-001
412178	* * - - - -	Face Plate complete 412140, 508283
412190	* * - - - -	Tension Bracket with 236060 (2), 412091 (2)
412197	* * - - - -	Tension Bracket complete 223703, 223704 (2), 267368, 412103, 412190, 412200, 412201, 412202, 412203 (4), 412204 (2), 540682 (2), 541187 (3), 544343 (2), 544354
412200	* * * * * *	Tension Release Lever Spring
412201	* * * * * *	Thread Controller Spring Stop
412202	* * * * * *	Thread Controller Disc
412203	* * * * * *	Tension Disc (4)
412204	* * * * * *	Tension Release Washer (2)
412213	* * * - - -	Feed Driving Rock Shaft
412214	* * - - - -	Arm Cover (Top) with 412053, 412056, 412142, 412143, 412144, 412224, 412229, 412240, 500280, 502832, 508555, 508557, 541186, 543831-001, 543832-001, 544281 (2)
412225	* * * * * *	Take-up Lever Hinge Stud with 235706
412226	* * * * * *	Take-up Lever Hinge Stud Wearing Washer
412228	* * * - - -	Presser Bar Bushing (upper)
508283	* * - * * *	Face Plate Plug
512062	* * * - - -	Needle Bar Rock Frame Pin
540682	* * - - - -	Tension Spring (2)
541187	* * * * * *	Tension Thumb Nut (3)
541188-001	* * * - - -	Needle Bar Rock Frame Rock Shaft Crank Link Hinge Screw Nut (2)
544322	* * * - - -	Needle Bar Rock Frame Rock Shaft Crank Set Screw
544343	* * * * * *	Tension Release Lever Screw (2)
544354	* * * * * *	Thread Controller Disc Screw
544376	* * * - - -	Needle Bar Oiling Felt Retainer Screw (upper) (2)
544376	* * * - - -	Needle Bar Oiling Felt Retainer Screw (lower) (2)
544377	* * * - - -	Needle Bar Rock Frame Wear Plate Screw (4)
545139	* * * - - -	Needle Bar Rock Frame Rock Shaft Connection Pinch Screw
545139	* * * - - -	Needle Bar Rock Frame Rock Shaft Crank Pinch Screw
549380	* * * * * *	Needle Bar Connecting Stud Pinch Screw

